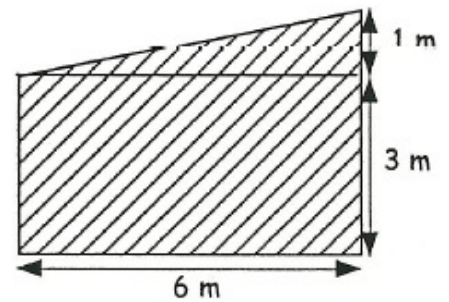


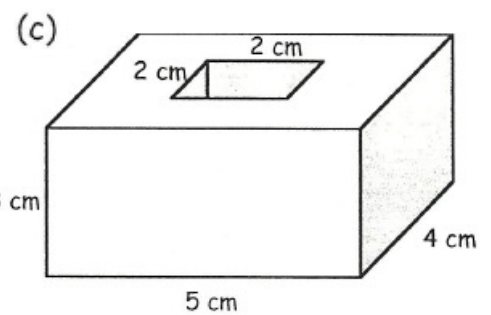
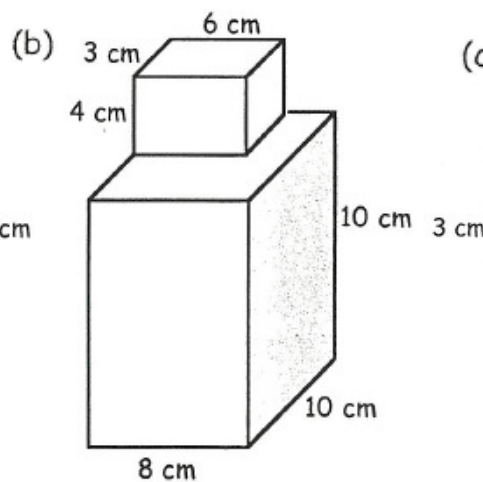
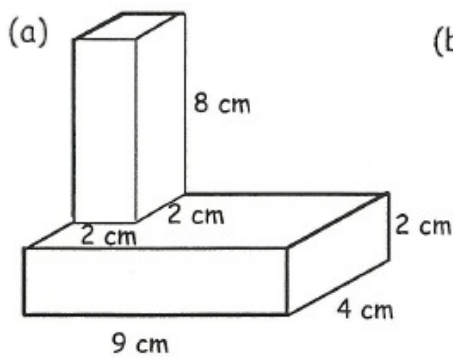


1. The side of a house is to be painted.
The paint costs £6.25 a litre and one litre will cover an area of eight square metres.

How much will it cost to paint the side of the house?

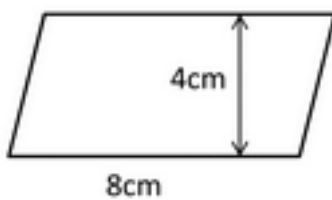


2. Find the total volume of the following shapes...



3. Find the area of these quadrilaterals:

(a)



(b)

