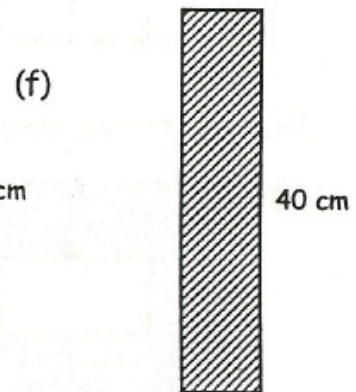
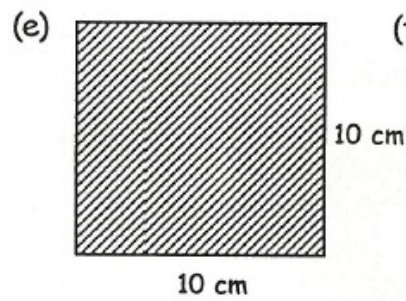
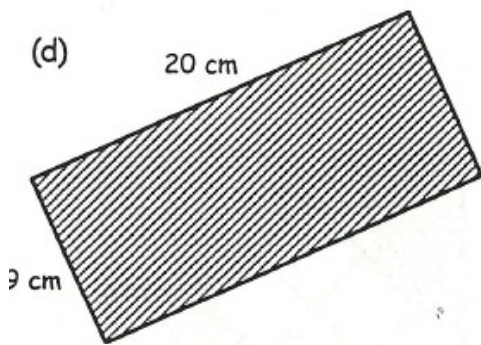
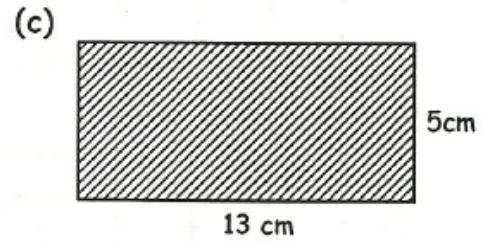
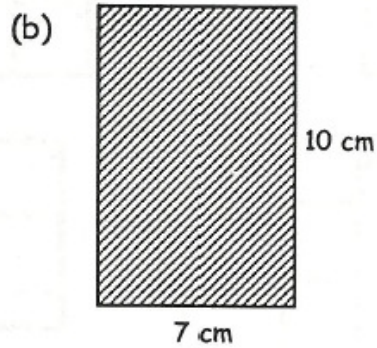
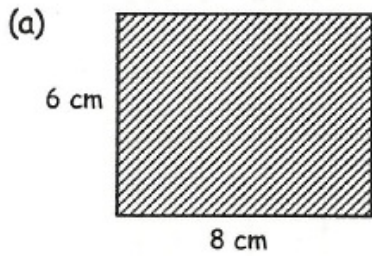




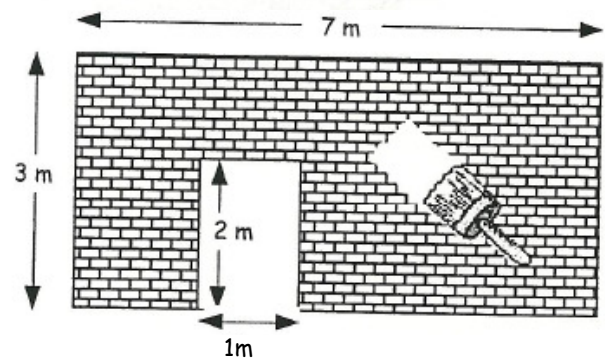
1.

Calculate the area of each of the following rectangles.



A wall is to be painted. A litre of paint will cover 4 m^2 and costs £4.50.

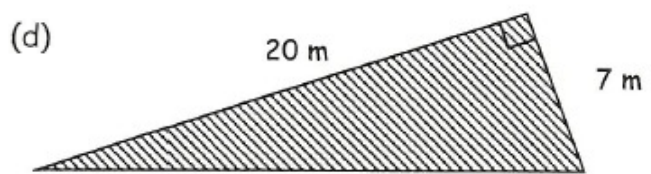
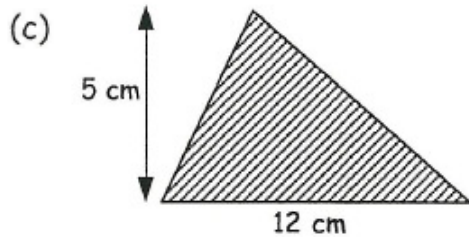
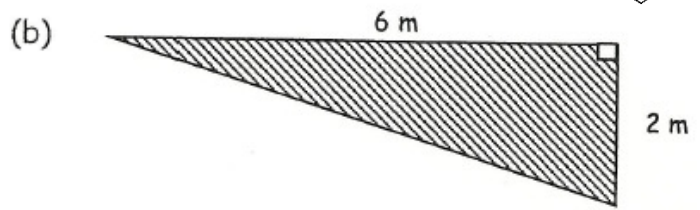
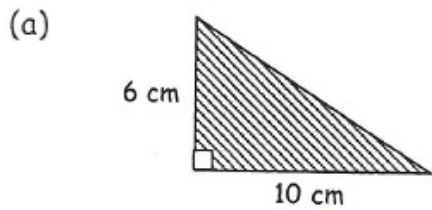
- Calculate the area of the doorway.
- Calculate the area of the wall to be painted.
- How much will it cost to paint the wall?



Question 2 on next page...



2. Find the area of each of the triangles :-



3. Which of the three triangles has the smallest area :-

